

WALKER

Heavy-Duty
Hub Cap Plug
Protectors

Ideal for:

Loggers

Excavators

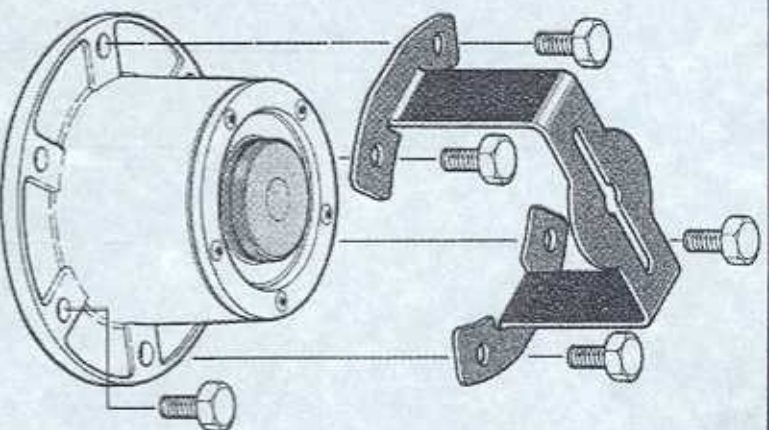
Oil Rigs

Snow Plow Trucks

Sand and Gravel Haulers

Equipment Haulers

Any Over The Highway or
Off-Road Truck/Trailer
Operations



Stemco Oil Cap #	c/r#	Walker Part #
4009.....		009
4024.....	1612.....	024
4249.....		249
.....	1643/1644.....	643

Patent Pending

\$49.00

Per Pair

Any part number

Quick and easy installation. Helps protect oil plugs from being ripped out, windows cracked or broken and caps being destroyed by foreign objects. Helps protect the environment from hub oil loss.

Shields from:

Off Road Debris

Stumps and Limbs

Rocks

Snow and Ice

Criminal Tampering

High Quality Exterior Powder Coat
Dark Gray Finish

...other colors are available
by special order...

Name _____

Street Address _____

City, State Zip _____

Phone # _____

Payment Type: Money Order Check Bank Card

Credit Card Info _____ Digit Code _____

Order Form

Qty.	Qty.	Qty.	Qty.
009 _____	024 _____	249 _____	643 _____

Sub-Total
(49.00 Per Pair)

Shipping
(6.00 For 1st Pair)
Add 1.00 for each
additional pair

Total \$ _____

Place
Stamp
Here

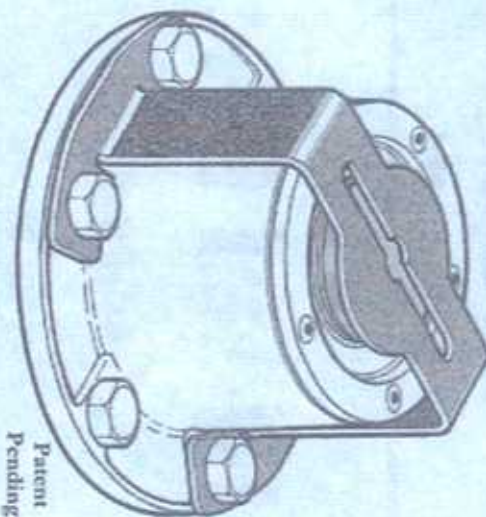
WALKER MANUFACTURING, INC.

P.O. Box 2449

Thompson Falls, MT

59873

The Original
WALKER
Hub Cap
Plug Guard



**Save yourself from
expensive repairs by
installing your heavy-
duty hub cap
plug guard.....
*today.***

Walker Manufacturing Inc

wmi479@yahoo.com

**MADE IN MONTANA
U.S.A.**